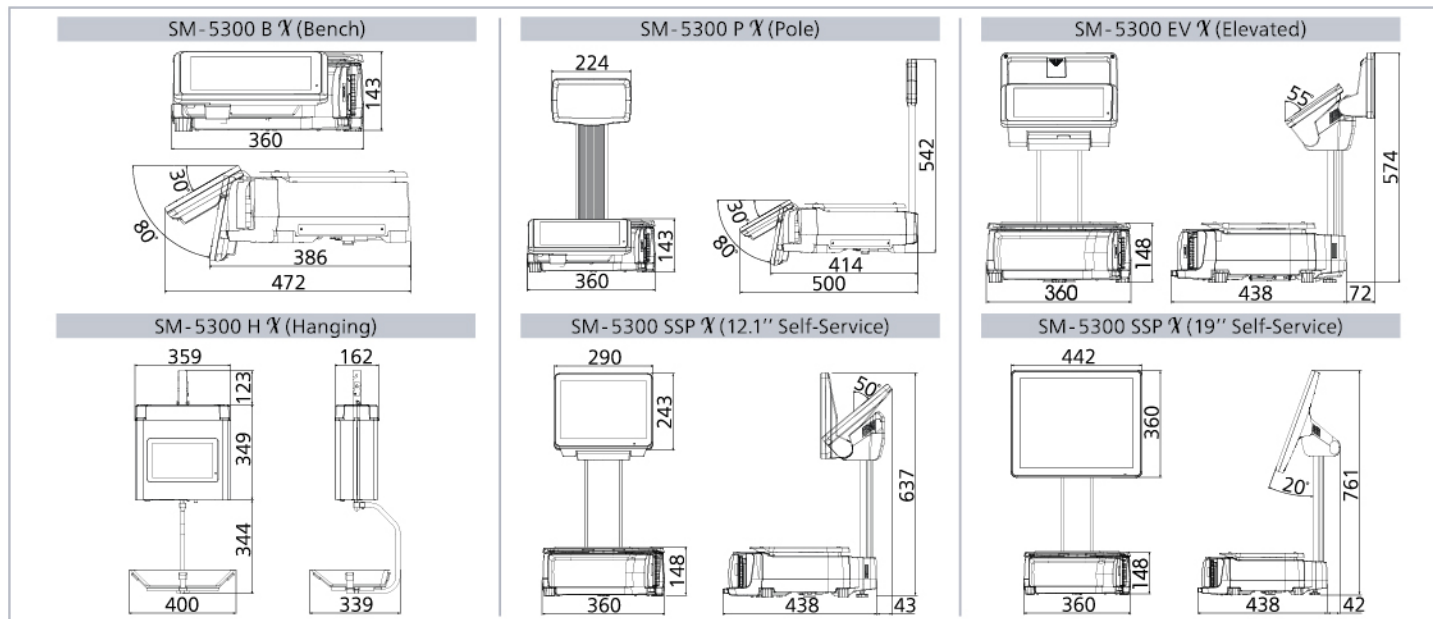


## External Dimensions (mm)



## Specifications

Capacity	Max 6kg	Max 15kg / 30lb	Max 30kg
Single Interval	1 / 3,000 e = 2g	e = 5g / 0.01lb	e = 10g
	1 / 6,000 or 1 / 7,500 e = 1g	e = 2g	e = 5g
Capacity	Max 3 / 6kg	Max 6 / 15kg	Max 15 / 30kg
Multi Interval	1 / 3,000 e = 1 / 2g	e = 2 / 5g	e = 5 / 10g

Model	SM-5300 B X Bench	SM-5300 P X Pole	SM-5300 EV X Elevated	SM-5300 H X Hanging	SM-5300 SSP X 12.1" Self-Service	SM-5300 SSP X 19" Self-Service
Dimension WxDxH(mm)	360 x 472 x 143	360 x 500 x 542	360 x 510 x 574	400 x 339 x 816	360 x 481 x 637	442 x 480 x 761
Operator Display	10.1" WSVGA with Capacity Touch (1024 x 600)	○	○	○	○	○
Customer Display	12.1" TFT SVGA with Touch (800 x 600)	○	○	○	○	○
	19" TFT SVGA with Touch (1280 x 1024)	○	○	○	○	○
	7" WVGA (800 x 480)	○	○	○	○	○
	10.1" WVGA (1024 x 600)	○	○	○	○	○
Display Resolution	1 / 3,000, 1 / 6,000 & 1 / 7,500					
Types	Liner			Linerless With Auto-Cutter		
Roll Diameter	Max 125mm			Max 95mm		
Label / Receipt Print Width	Max 73mm			Max 62mm		
Printing Speed	Up to 150mm / second*			Up to 150mm / second*		
Print Resolution	300 dpi			300 dpi		
Power Source	AC 100 / 110 or 220 / 230 / 240 Volts (50 / 60 Hz) Auto Switch					
Operating Temperature	-10°C to +40°C					
Humidity	15% to 85% RH					
Standard Interface	Ethernet 10 / 100 Base T, 4 x USB 2.0, 1 x RJ11					
Net Weight	10.7 kg	11.7 kg	13.2 kg	14.0 kg	13.3 kg	17.0 kg

Options	Wireless LAN IEEE 802.11 a / b / g / n / ac, Base Station, e.Label with Hi-Touch, InfoTag, Queue Printer, NF-02, Speed ID & Wristband
Factory Option	Linerless Printer with Auto-Cutter

\*To achieve maximum print speed, high sensitivity thermal paper is necessary.

\*\* All the images are used for illustration purpose only.

\*\*\* Console variant is available.



CE • Specifications are subject to change without prior notice  
• Meet or exceed OIML Class III requirements



# SM-5300 X

PC Based System Scale Printer



SM-5300 EV X

### DIGI SINGAPORE PTE. LTD.

4 Leng Kee Road #05-02 / 03 / 04 / 05 / 11 / 12  
SIS Building SINGAPORE 159088  
TEL : +65 6472 2996  
SALES: +65 6378 5387  
FAX : +65 6863 4614  
URL : www.digisystem.com/sg/  
E-MAIL : customer\_support@sg.digi-group.com

### TERAOKA SEIKO Co., Ltd.

13-12 Kugahara 5-chome, Ohta-ku,  
Tokyo 146-8580, JAPAN  
TEL: +81-3-3752-2131  
FAX: +81-3-3752-5562  
URL: www.digisystem.com

# SM-5300 X designed to Xcite, crafted to Xcel



## Xplore new solutions



management  
**Qiii**

Maintain social distancing by keeping in-store queues virtual. When combined with the collection system, retailers can offer a contactless pickup experience to ensure the safety of customers and employees.

- Minimises physical clustering
- Customisable queue and collection ticket
- Optimise waiting time with multi-department queue
- Supports API integration with third-party mobile queue app



speedID

Speed ID taps on RFID technology for a contactless user login to the scale while keeping the scale safe from unauthorised usage. Its touchless nature helps to safeguard the workplace by limiting physical contact amongst operators.

- Available in 2 variants: tag or wristband
- Built-in clerk log report allows contact tracing and reduces shrinkage



Tag



Wristband



DMC

DIGI Management Console enables remote management of scale data and label design in real-time. Scale and printer status can be monitored at a glance with its dashboard overview. This cloud-based service also provides remote access to sales reports and other remote services such as network wide configuration and software updates.

- Remote operation eliminates unnecessary physical interactions
- Reduce downtime and increase productivity



InfoTag..

InfoTag is an enterprise-grade electronic shelf label that grants pricing automation via wireless updates. Its QR code and NFC - Near Field Communication capabilities make product information readily available to customers via their mobile devices.

- Ensures social distancing with remote price update
- Promote product and speed up order picking with LED flash indicator
- Low temperature variant available for freezer environment



e.Label.. with Hi-Touch

e.Label combines a high definition e-Paper display with the tap-activated Hi-Touch feature to achieve maximum readability and fast PLU call-up. Designed for wet environments, the IP67-certified electronic labels are water-resistant and washable to help retailers maintain high hygiene standards.

- Reduce in-store physical interactions with remote price updates
- Hi-Touch delivers error-free automatic PLU call-up to boost operational efficiency
- Available in 3 sizes (1.54", 2.7", 4.2")

## maximised value



waste management  
**W**

DIGI's waste management solution accurately tracks and measures wastage by capturing its data according to type, quantity or reason and location of disposal.

- Improve procurement planning and profitability by drawing insights from analysis report
- Identify near-expiry products for markdowns

### Next-Generation User Interface

SM-5300 X features a new user interface that maximises screen usage, displaying only the necessary function keys related to each specific mode. When combined with the capacitive touchscreen, navigation is seamless and easy for every user.

- Favourites ★ Tab
- Swipe Gestures
- Mode-Specific Function Keys

### Interactive Customer Displays

Native video playback capability offers an additional avenue to showcase promotional contents that can strengthen in-store marketing efforts and boost customer engagement.

- Support dynamic advertisements
- Enable upsell and cross-sell

7" Customer Display for Pole & Bench



10.1" Customer Display for Elevated & Hanging

## Xceptional performance



Linerless Labeling

With no backing paper and twice as many label prints on a single label roll, this sustainable solution helps businesses to maximise inventory space while reducing logistic costs.

- Quick and easy roll replacement
- Flexible label design
- Crisp and appealing label presentation