



DPS-5000e Plus

PC-Based Compact Pre-Pack Scale



Intuitive Adjustable Display

Tilt and rotate the intuitive 10.1" capacitive touch screen for maximum productivity and viewing comfort.



Fast and Efficient Printing

The front-loading 300dpi printer uses 80mm wide width label to deliver high-resolution printing while easing label change.

Optional Short Stand

Stainless steel short stand elevates scale for better comfort.

External Platform

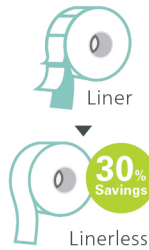
Support external S-WR platforms for high precision weighing.

More Features...

Remote diagnostics, email alert, printing graphics on label and receipt, and Help Mode for operators.



Get more prints on a single label roll and enjoy zero liner waste at work. Create label designs of variable lengths with ease to enhance promotional value.



Options

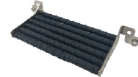
Internal Rewinder Kit

Accommodates batch printing by winding up dispensed labels into a neat roll.



Long Label Holder

Prevents long label from falling off when dispensed.



Specifications

Capacity	Resolution	Max 15kg / 30lb	Max 30kg
Single Interval	1 / 3,000	e = 5g / 0.01lb	e = 10g
	1 / 6,000	—	e = 5g
	1 / 7,500	e = 2g	—
Capacity	Resolution	Max 6 / 15kg	Max 15 / 30kg
Multi Interval	1 / 3,000	e = 2 / 5g	e = 5 / 10g

Model	DPS-5000e Plus	
Dimension	DPS-5000e Plus 290 x 432 x 420	
W x D x H (mm)	Platform	S-WR (30 kg): 295 x 355 x 55
	ShortStand(Optional)	210 x 369 x 183
Operator Display	10.1" TFT WSVGA with Capacitive Touch	
Display Size	WxD(Pixels) 1024 x 600	
Display Rotatable Degree	+ / - 30 degree left and right ; 80 degree up and down	
Types	Liner	Liner Less With Auto-Cutter
Roll Diameter	Max 125mm	Max 125mm
Label / Roll Width	Max 80mm	Max 80mm
Receipt Print Width	Max 80mm	Max 80mm
Printing Speed	Max 150mm / second*	Max 150mm / second*
Print Resolution	300 dpi	300 dpi
Barcode Type	Interleaved 2 of 5, EAN-8, EAN-13, EAN-128, RSS, PDF417 (For Receipt Only), GS1, QR Code, Datamatrix	
Power Source	Compliance to 80PLUS Power Saving**	
Operating Temperature	- 10°C to + 40°C	
Humidity	15% to 85% RH Non-Condensation	
Standard Interface	2 x RS232C, Ethernet 10 / 100 Base T, 4 x USB 2.0, SD Socket	
Net Weight	DPS-5000e	12 kg
	Platform	S-WR: 4.5 kg
	ShortStand(Optional)	3.4 kg

Options	Wireless LAN IEEE 802.11 a / b / g / n / ac, InfoTag, e.Label with Hi-Touch, Base Station
Factory Option	Linerless Printer with Auto-Cutter

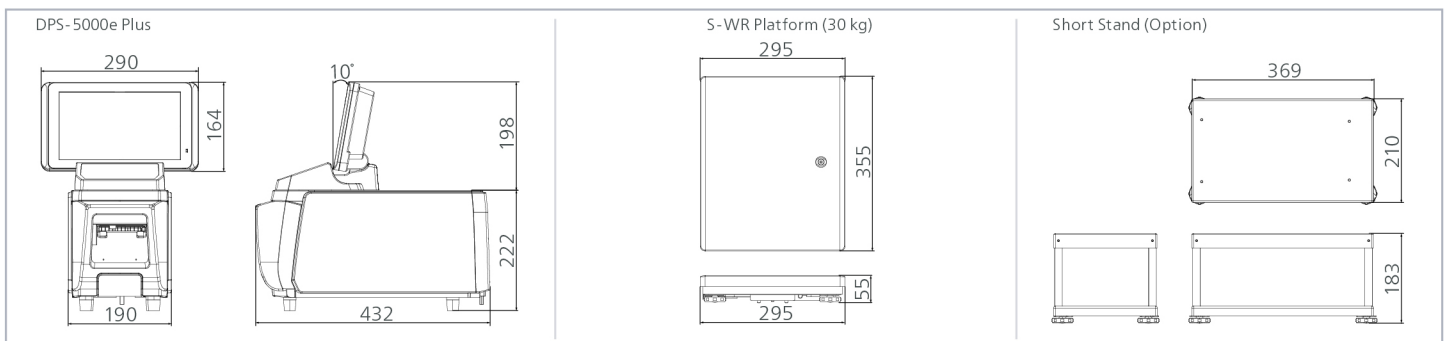


* To achieve maximum print speed, high sensitivity thermal paper is necessary.
 ** 100-120Vac Gold (North America, Canada and Japan)
 210-240Vac Silver (European, UK and most of Asia)

Model Variations

- DP- 5000e Plus Printer
- DI- 5000e Plus Indicator

External Dimensions (mm)



• Specifications are subject to change without prior notice
 • Meet or exceed OIML Class III requirements

DIGI SINGAPORE Pte. Ltd.

4 Leng Kee Road #05-02/03/04/05/11/12
 SIS Building SINGAPORE 159088
 TEL : +65 6472 2996
 SALES: +65 6378 5387
 FAX : +65 6863 4614
 URL : www.digisystem.com/sg/
 E-MAIL : customer_support@sg.digi-group.com

TERAOKA SEIKO CO., LTD.

13-12 Kugahara 5-chome, Ohta-ku,
 Tokyo 146-8580, JAPAN
 TEL: +81-3-3752-2131
 FAX: +81-3-3752-5562
 URL: www.digisystem.com

YAKUDO
 Odważne technologie

DPS-5000e Plus / B / 0723S