



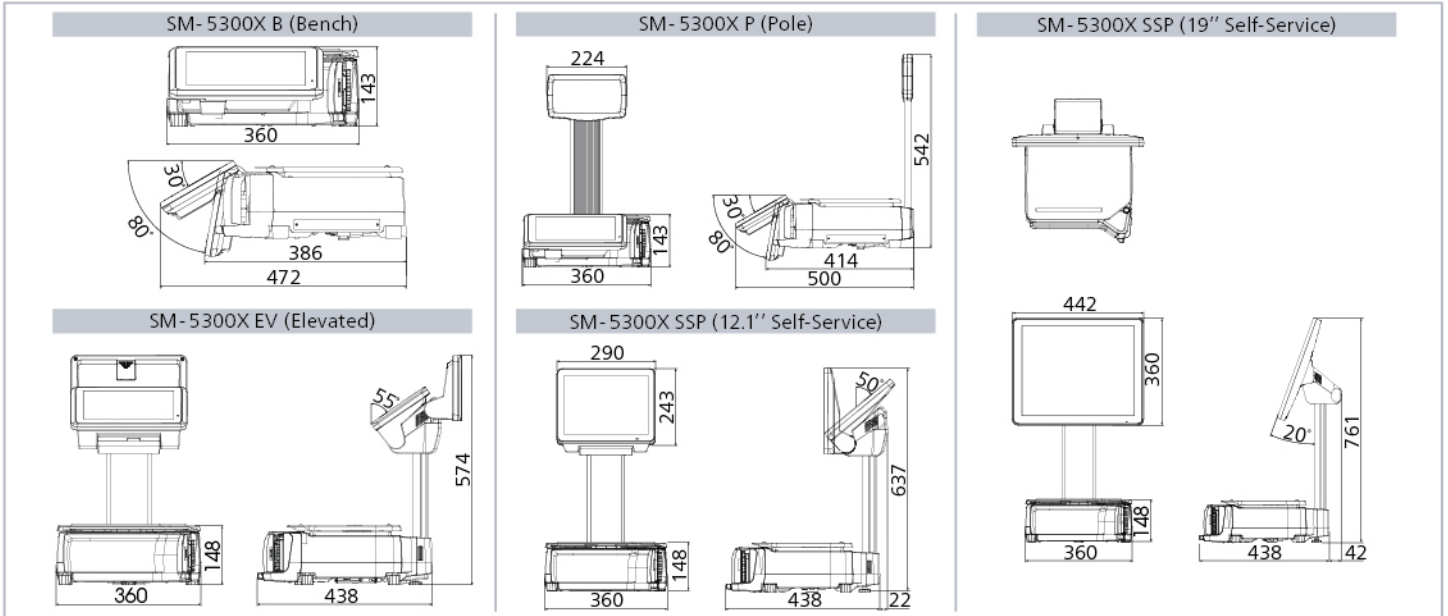
SM-5300X

PC Based System Scale Printer



SM-5300X EV

External Dimensions (mm)



Specifications

Capacity	Max 6kg	Max 15kg / 30lb	Max 30kg
Single Interval	e = 2g e = 1g	e = 5g / 0.01lb e = 2g	e = 10g e = 5g
Capacity	Max 3 / 6kg	Max 6 / 15kg	Max 15 / 30kg
Multi Interval	e = 1 / 2g	e = 2 / 5g	e = 5 / 10g

Model	SM-5300X B (Bench)	SM-5300X P (Pole)	SM-5300X EV (Elevated)	SM-5300X SSP (12.1'' Self-Service)	SM-5300X SSP (19'' Self-Service)
Dimension WxDxH(mm)	360 x 472 x 143	360 x 500 x 542	360 x 438 x 550	360 x 481 x 637	442 x 480 x 757
Operator Display	10.1" with Capacitive Wide Touchscreen (1024 x 600)	○	○	—	—
Customer Display	7" WGA (800 x 480)	○	○	—	—
Display Resolution	1 / 3,000, 1 / 6,000 & 1 / 7,500				
Types	Liner		Linerless With Auto-Cutter		
Roll Diameter	125mm (Max)		95mm (Max)		
Label / Print Width	60mm (Max)		60mm (Max)		
Receipt Paper Width	62mm (Max)		62mm (Max)		
Printing Speed	Up to 150mm / second*		Up to 150mm / second*		
Print Resolution	300 dpi		300 dpi		
Power Source	AC 100 / 110 or 220 / 230 / 240 Volts (50 / 60Hz) Auto Switch				
Operating Temperature	-10°C to +40°C				
Humidity	15% to 85% RH				
Standard Interface	Ethernet 10 / 100 Base T, 4 x USB 2.0, RJ11				
Net Weight	10.7 kg	11.7 kg	13.2 kg	13.3 kg	17.0 kg



10.1'' Customer Display

Add-on Option	Wireless LAN IEEE 802.11 a / b / g / n / ac, Base Station, e.Label with Hi-Touch, InfoTag, Queue Printer, Speed ID
Factory Option	Linerless Printer with Auto-Cutter

*To achieve maximum print speed, high sensitivity thermal paper is necessary.

** All the images are used for illustration purpose only.



• Specifications are subject to change without prior notice
• Meet or exceed OIML Class III requirements

DIGI SINGAPORE PTE. LTD.

4 Leng Kee Road #05-02/03/04/05/11/12
SIS Building SINGAPORE 159088
TEL : +65 6472 2996
SALES: +65 6378 5387
FAX : +65 6863 4614
URL : www.digisystem.com/sg/
E-MAIL : customer_support@sg.digi-group.com

TERAOKA SEIKO Co., Ltd.

13-12 Kugahara 5-chome, Ohta-ku,
Tokyo 146-8580, JAPAN
TEL: +81-3-3752-2131
FAX: +81-3-3752-5562
URL: www.digisystem.com